

# PSE-5

## Portable Electrode Dry-Storage Container with Manual Thermostat



### Industry

- Process Industry
- Tank and Vessel Fabrication
- Light Equipment



PSE highly portable dry-storage containers ensure that electrodes remain in optimal condition by allowing continued drying or moisture removal until the moment they are used. Simply transfer electrodes from a stationary drying oven or electrode bin and plug in the PSE at the welding station. Only the electrodes needed for the job are exposed while the remainder are stored for continued drying.

Excellent insulation and efficient operation ensure the electrodes remain moisture-free, for excellent welding quality without cracking or porosity.

- Up to 5 kg electrode drying and storing capacity of electrodes in up to 450 mm length
- Convenient pre-set temperature of 130 °C with auto-power cycling and uniform temperature distribution inside the drying oven
- 32 mm glass wool insulated steel construction and external electrostatic paint coating ensures high durability and long life
- Excellent thermal insulation (-50 to +250 °C).
- Convenient and quick elevating chamber for electrode removal
- 200 W power allows an empty drying container to heat up to a set point in only 15 minutes

Visit [esab.com](http://esab.com) for more information.

### Specifications

Capacity Max	5 kg
Storage Temperature	130 °C
Drying Temperature (Max)	130 °C
Input Voltage	1ph 220 - 240 V, 50/60 Hz
Output Power	200 W
Output Current	1 A
Dimensions Height	500 mm
Dimensions Diameter (Outer)	140 mm
Weight	5 kg

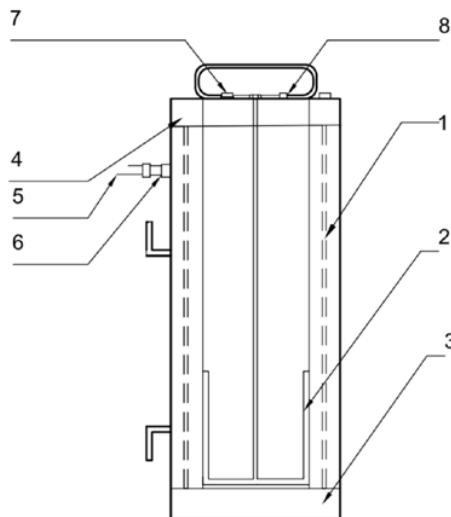
# PSE-5

## Ordering Information

PSE-5 Electrode Dry-Storage Container, 1ph 230V AC 50/60Hz	0700100145
--	------------

## Wear & Spare Parts

1	Heating Element 230V - PSE	0700100112
1	Heating Element 110V - PSE	0700100113
1	Heating Element 24V	0700100114
2	Puller Tray 5kg	0700100151
3	Bottom Cover PSE-5	0700100152
4	Top Cover PSE-5	0700100153
5	Power Cord 230V with plug	0700100118
5	Power Cord 110V with plug - PSE	0700100119
5	Power Cord 24V with plug	0700100120
6	Cable Gland - PSE	0700100121
7	Fuse Holder	0700100122
7	Fuse (glass) 5A	0700100141
8	Pilot Lamp 230V	0700100124
8	Pilot Lamp 110V	0700100125
8	Pilot Lamp 24V	0700100126



ESAB / [esab.com](http://esab.com)

